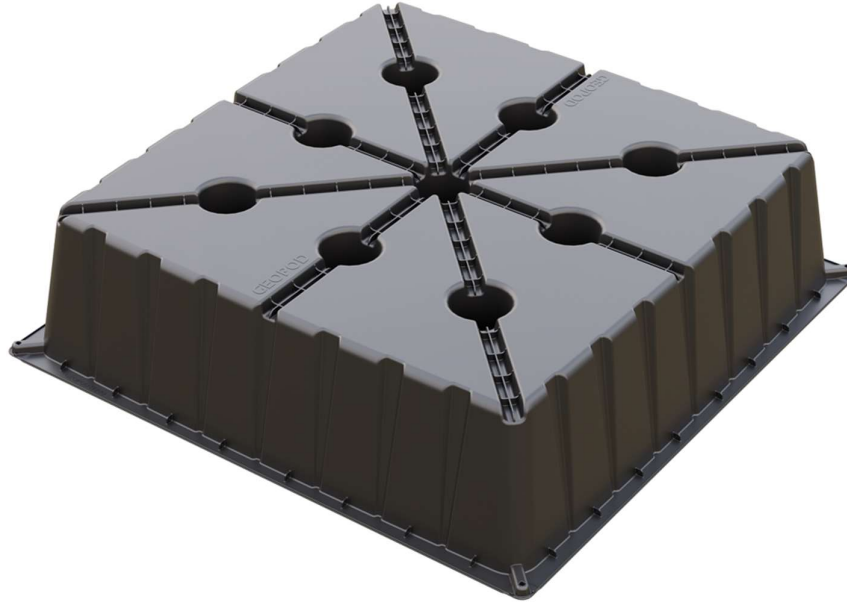


GEOPOD technical data sheet

1. DESCRIPTION

Sacrificial formwork to create ribbed foundation slabs in compliance with Australian Standards 2870-2011: Residential slabs and footings.



2. TECHNICAL SPECIFICATION

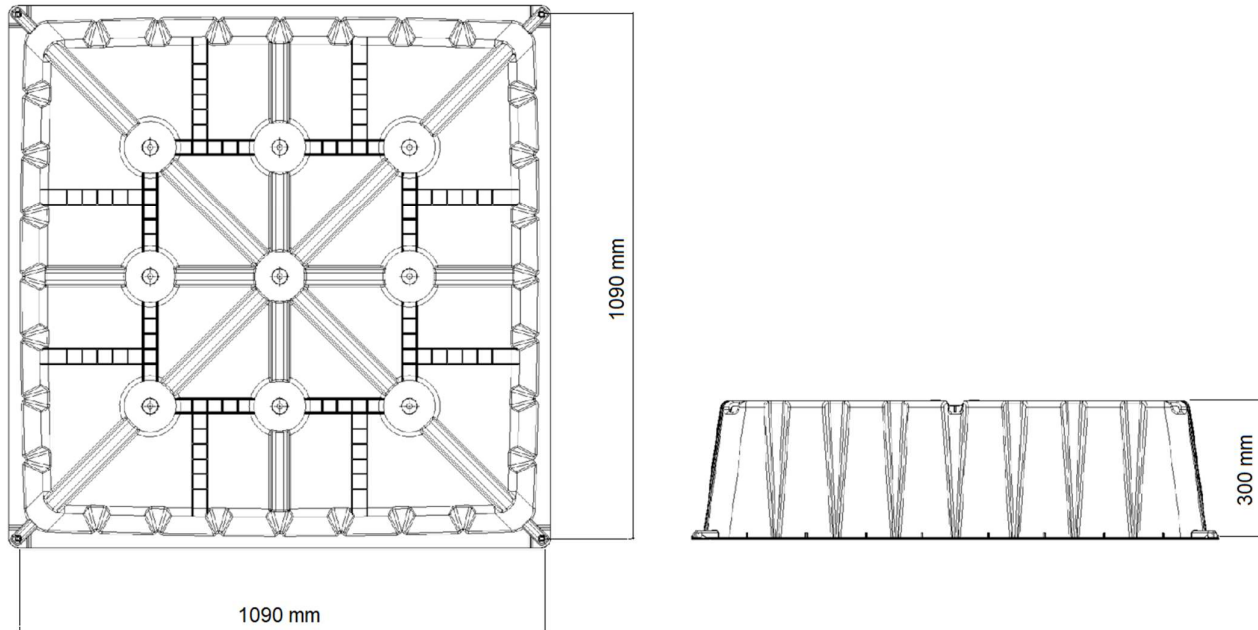
Geopod material	-	Recycled polypropylene 100% Type GRAPLENE
Geopod dimension*	cm	109 x 109 x H30
Geopod weight	kg	7,50 (± 10%)
Place of production	-	Italy

* in consideration of the recycled material, the measures should be evaluated with a tolerance of ± 1,5%

Concrete consumption flush to the formwork** (m ³ /m ²)	0,081
--	-------

** The volume is subject to changes depending on the pouring conditions and material tolerances

3. TECHNICAL DRAWINGS



4. PACKAGING AND TRANSPORT

GEOPOD code		EGEOPD0300
Packaging dimensions	cm	115 x 115 x H256
N° Pieces - m ² pallet	-	109 – 157
Packaging type	-	Stacked and wrapped in plastic film on pallet
Package gross weight formwork (pallet included)	kg	828

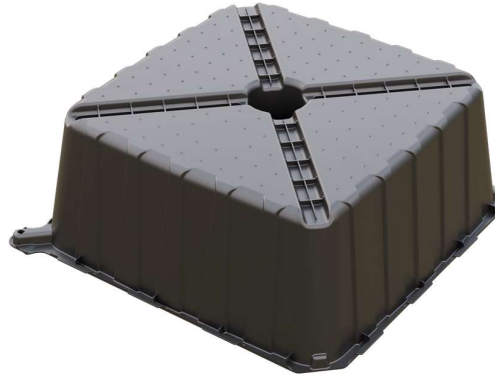
6. INSTALLATION (laying) METHOD

The Geopod installation is carried out by placing the formwork from right to left (or left to right) and from top to bottom, by installing the spacers over the flanges of the Geopod already placed, and then locking the Geopod of the next line over the spacers already placed.

GEOPOD MIDI technical data sheet

1. DESCRIPTION

Sacrificial formwork for horizontal compensations and stepped-down areas of ribbed ground slabs built in accordance to AS 2870-2011.



2. TECHNICAL SPECIFICATION

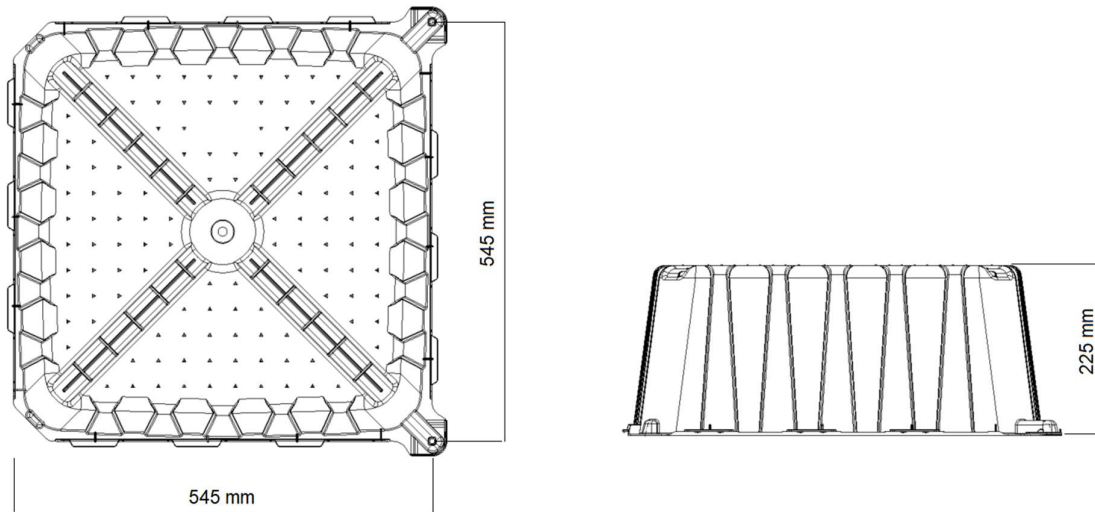
Geopod Midi material	-	Recycled polypropylene 100% Type GRAPLENE
Geopod Midi dimension*	cm	54,5 x 54,5 x H22,5
Geopod Midi weight	kg	1,42 (± 10%)
Place of production	-	Italy

** in consideration of the recycled material, the measures should be evaluated with a tolerance of ± 1,5%*

Concrete consumption flush to the formwork** (m ³ /m ²)	0,069
--	-------

*** The volume is subject to changes depending on the pouring conditions and material tolerances*

3. TECHNICAL DRAWINGS



4. PACKAGING AND TRANSPORT

GEOPOD MIDI code		EGEOPMD0225
Packaging dimensions	cm	115 x 115 x H256
N° Pieces - m ² pallet	-	548 – 163
Packaging type	-	Stacked and wrapped in plastic film on pallet
Package gross weight formwork (pallet included)	kg	790

6. INSTALLATION (laying) METHOD

The Geopod Midi is installed over the spacers already placed, when connecting to the main Geopod.

When connecting to other Geopod Midi or Geopod Mini, there is no ribbing in between so the 2 Geopod Midi / Mini are simply locked one to another

GEOPOD MINI technical data sheet

1. DESCRIPTION

Sacrificial formwork for horizontal compensations and stepped-down areas of ribbed ground slabs built in accordance to AS 2870-2011.



2. TECHNICAL SPECIFICATION

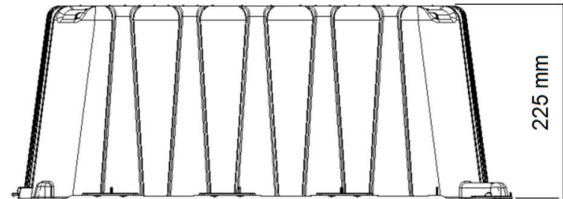
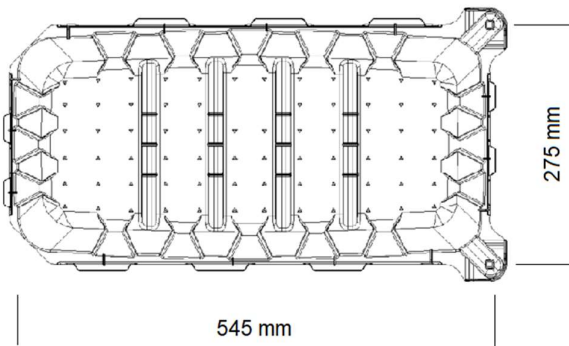
Geopod Midi material	-	Recycled polypropylene 100% Type GRAPLENE
Geopod Midi dimension*	cm	54,5 x 27,5 x H22,5
Geopod Midi weight	kg	0,80 (± 10%)
Place of production	-	Italy

** in consideration of the recycled material, the measures should be evaluated with a tolerance of ± 1,5%*

Concrete consumption flush to the formwork** (m ³ /m ²)	0.093
--	-------

*** The volume is subject to changes depending on the pouring conditions and material tolerances*

3. TECHNICAL DRAWINGS



4. PACKAGING AND TRANSPORT

GEOPOD MIDI code		EGEOPMN0225
Packaging dimensions	cm	115 x 115 x H256
N° Pieces - m ² pallet	-	1096 – 163
Packaging type	-	Stacked and wrapped in plastic film on pallet
Package gross weight formwork (pallet included)	kg	887

6. INSTALLATION (laying) METHOD

The Geopod Midi is installed over the spacers already placed, when connecting to the main Geopod.

When connecting to other Geopod Midi or Geopod Mini, there is no ribbing in between so the 2 Geopod Midi / Mini are simply locked one to another

SPACER technical data sheet

1. DESCRIPTION

Spacer for the correct layout of products GEOPOD, GEOPOD MIDI and GEOPOD MINI in accordance to provisions of AS 2870-2011 with rib width of 110 mm.



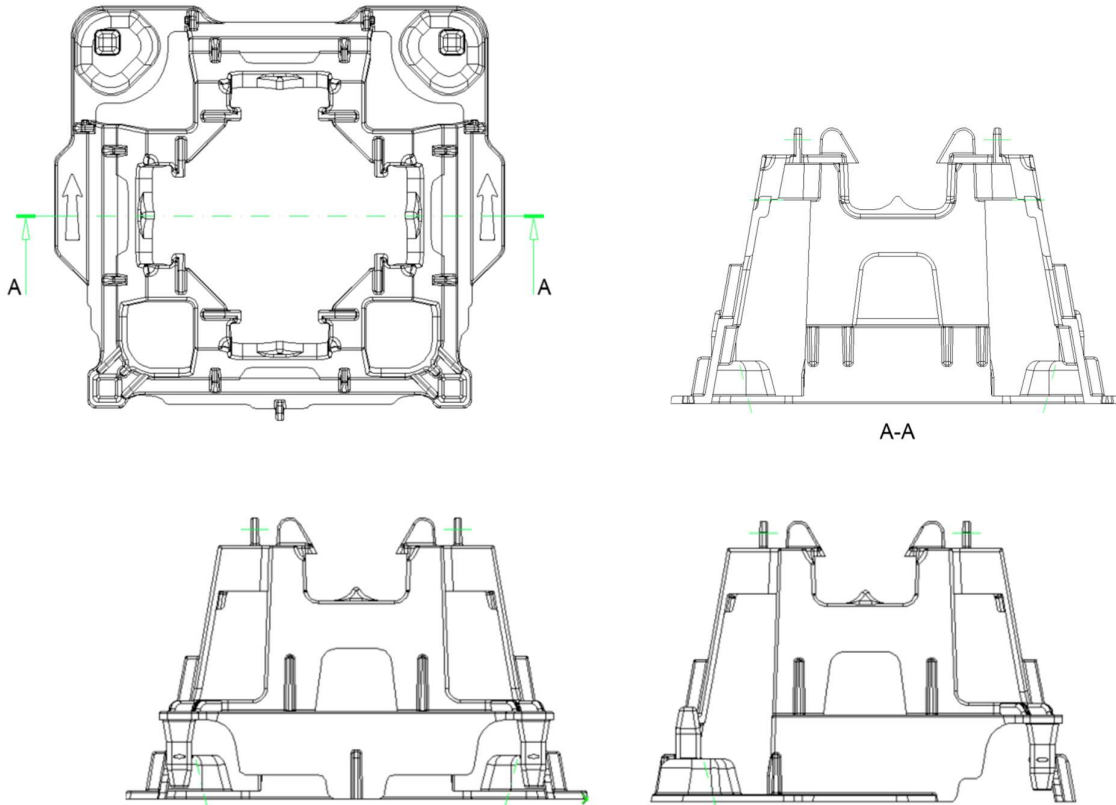
2. TECHNICAL SPECIFICATION

Geopod Spacer material	-	Polyamide (Nylon) with glass fibers
Geopod Spacer color	-	Red
Geopod Spacer dimension*	cm	11,9 x 10,8 x H16,6
Geopod Spacer weight	kg	0,038 (± 10%)
Place of production	-	Italy

consideration of the recycled material, the measures should be evaluated with a tolerance of ± 1,5%

* in

3. TECHNICAL DRAWINGS



4. PACKAGING AND TRANSPORT

GEOPOD SPACER code		EGEOPSP0000
Packaging dimensions	cm	40 x 60 x H20
N° Pieces – BOX	-	60
Packaging type	-	In cardboard boxes
Package gross weight	kg	23